

# Harry Kane

Harry Kane is a famous English footballer. He is best known as a striker for Tottenham Hotspur and captain of the England football team.

## Early Life

Harry was born in London on 28<sup>th</sup> July 1993. His mum and dad are called Kim and Patrick and he has one older brother, Charlie. Harry was brilliant at football from a young age and joined the club, Ridgeway Rovers, when he was just six! Harry went to the same school as David Beckham.



## Tottenham Hotspur

Harry played for the Tottenham under-18 team and was signed to the club in July 2010. As a striker, his job is to play near the other team's goal and try to score goals. He wears a number 10 football shirt. He has scored over 100 goals for the team!



## England Team

In January 2010, Harry played for the England under-17 team. On 10<sup>th</sup> June 2017, he played as captain of the England team for the first time. He was captain for the The World Cup in 2018 in Russia. He helped his team get to the semi-final, but they sadly lost 2-1 to Croatia.



### Did You Know...?

Harry is the winner of The Golden Boot, an award given each season to the player who has scored the most goals.

# Questions

1. Where was Harry born? Tick **one**.

- Leicester  
 London  
 Leeds

2. Number these events in Harry's life in the order they happened. The first one has been done for you.

- Harry joined the Ridgeway Rovers.  
 Harry became captain of the England team.  
**1.** Harry was born in London.  
 Harry joined Tottenham Hotspur.

3. Draw lines to match these sentences about Harry

Harry was good at football ●

● play near the other team's goal and score.

Harry's job is to ●

● over 100 goals for his team.

Harry has scored ●

● from a young age.

4. Find and copy one word that describes how the author feels about England losing to Croatia.

---

5. Fill in the missing words.

Harry is the winner of The \_\_\_\_\_ award.

# Answers

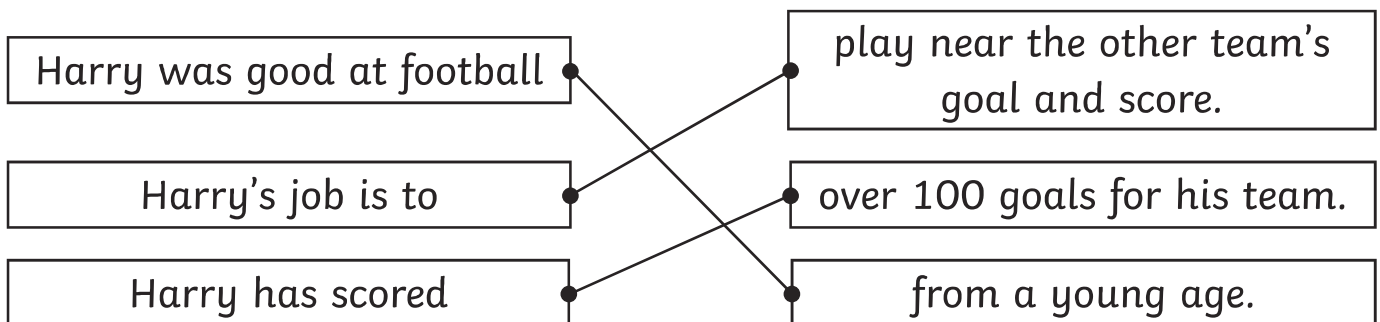
1. Where was Harry born? Tick **one**.

- Leicester  
 **London**  
 Leeds

2. Number these events in Harry's life in the order they happened.  
The first one has been done for you.

- 2.** Harry joined the Ridgeway Rovers.  
**4.** Harry became captain of the England team.  
**1.** Harry was born in London.  
**3.** Harry joined Tottenham Hotspur.

3. Draw lines to match these sentences about Harry.



4. Find and copy one word that describes how the author feels about England losing to Croatia.

**sadly**

5. Fill in the missing words.

Harry is the winner of The **Golden Boot** award.